



revos

# **SECURELY** SCREWED

Heavy-duty cable gland solutions.

# Plastic cable gland, metric

## Cable gland

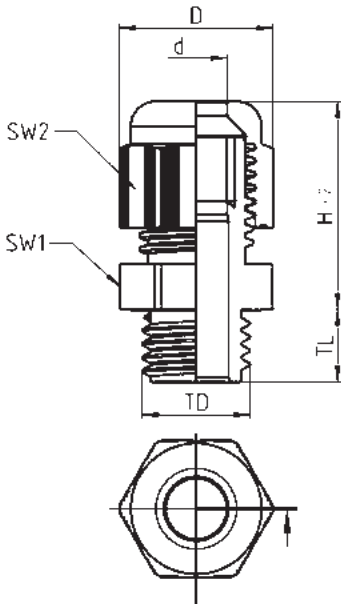


TD Thread	D mm	d mm	H mm	TL mm	SW1 mm	SW2 mm	Part No.	P.U.	VDE	UL/UR	CSA
M12x1.5	16.9	3-6.5	23	8	15	15	Z5.503.0053.0	100	✓	UR	✓
M16x1.5	25	5-10	30	10	22	22	Z5.503.0253.0	50	✓	UR	✓
M20x1.5	27	6-12	30	10	24	24	Z5.503.0453.0	50	✓	UL	✓
M20x1.5	31	10-14	33.5	10	27	27	Z5.503.0553.0	50	✓	UL	✓
M25x1.5	38	13-18	38	10	33	33	Z5.503.0753.0	25	✓	UL	✓
M32x1.5	47.3	18-25	42	15	42	42	Z5.503.0853.0	20	✓	UL	✓
M16x1.5	21.9	2-6	26,5	8	19	19	Z5.503.0153.0	50		UR	✓
M16x1.5	21.9	4-8	26,5	8	19	19	Z5.503.0353.0	50	✓	UR	✓
M25x1.5	32.5	9-13	36	15	29	29	Z5.503.0653.0	50		UL	✓

### Technical data

Material	Polyamide
Color	RAL 7035
Seal	Chloroprene
Temperature range	-20 – +100 °C
Degree of protection	IP 66 / IP 68 (5 bar, 30 min.)
Flammability	UL 94 V-2
UV	SERCOV AM RES 107572 acc. to UL51 4B §8.26.7

## Dimensions



Key	
D	Outer diameter
d	Cable diameter
H	Height
TL	Thread length
SW1	SW Body
SW2	SW Cap

# Plastic cable gland, PG

## Cable gland

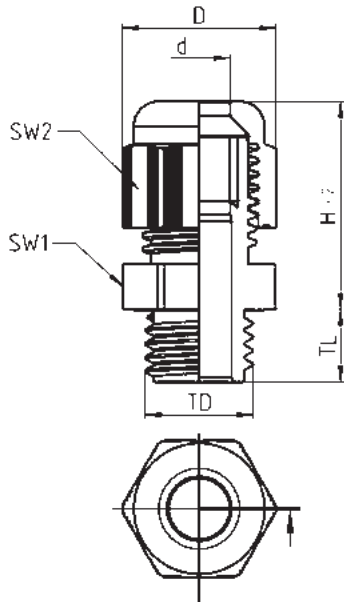


TD Thread	D mm	d mm	H mm	TL mm	SW1 mm	SW2 mm	Part No.	P.U.	UL	UR	CSA
PG7	16.9	3-6.5	22.5	8	15	15	Z5.504.0053.0	100		✓	✓
PG9	21.9	4-8	26.5	8	19	19	Z5.504.0153.0	50		✓	✓
PG11	25	5-10	29	8	22	22	Z5.504.0253.0	50		✓	✓
PG13.5	27	6-12	30	10	24	24	Z5.504.0353.0	50	✓		✓
PG16	30.9	10-14	33	10	27	27	Z5.504.0453.0	50	✓		✓
PG21	38	13-18	38	11	33	33	Z5.504.0553.0	25	✓		✓

### Technical data

Material	Polyamide
Color	RAL 7035
Seal	Chloroprene
Temperature range	-20 – +100 °C
Degree of protection	IP 66 / IP 68 (5 bar, 30 min.)
Flammability	UL 94 V-2
UV	SERCOV AM RES 107572 acc. to UL51 4B §8.26.7


## Dimensions



Key	
D	Outer diameter
d	Cable diameter
H	Height
TL	Thread length
SW1	SW Body
SW2	SW Cap

# Plastic cable gland, metric

**Cable gland**

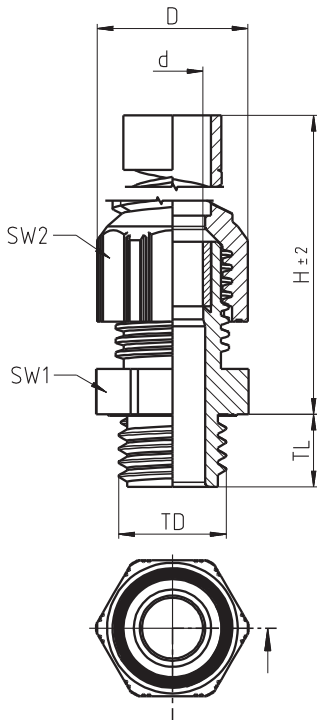


TD Thread	D mm	d mm	H mm	TL mm	SW1 mm	SW2 mm	Part No.	P.U.	UL	CSA
M20x1.5	27	5-9	94	10	24	24	Z5.507.0053.3	50	✓	✓
M25x1.5	38	9-16	117.5	10	33	33	Z5.507.0953.3	25	✓	✓

Technical data	
Material	Polyamide
Color	RAL 7001
Seal	Chloroprene
Temperature range	-20 – +100 °C
Degree of protection	IP 66 / IP 68 (5 bar, 30 min.)
Flammability	UL 94 V-2


## Dimensions




Key	
D	Outer diameter
d	Cable diameter
H	Height
TL	Thread length
SW1	SW Body
SW2	SW Cap

# Plastic cable gland, snap-In

**Cable gland**



**Removal tool**



HD mm	SD mm	SL mm	D mm	d mm	H mm	SW1 mm	SW2 mm	Part No.	P.U.	UR	CSA
16.2-16.4	15.9	9	26.5	5-10	42,5	22	22	Z5.504.4053.3	100	✓	✓
20.2-20.4	19.9	9	30.3	6-12	41,5	24	24	Z5.504.4153.3	50	✓	✓
20.2-20.4	19.9	9	30.3	6-12	41,5	24	24	Z5.504.4153.1	50		

**Technical data**

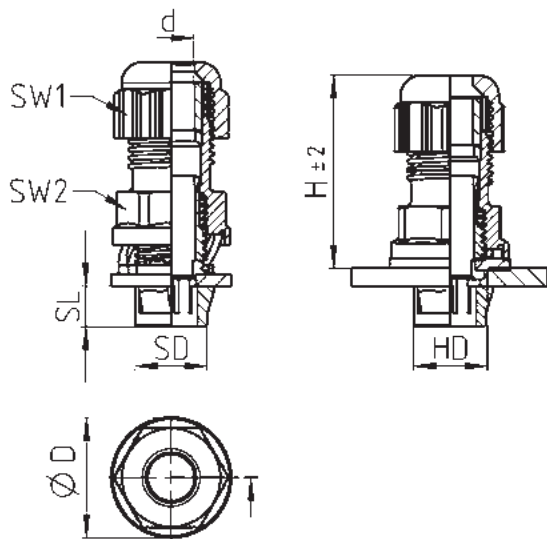
Material	PA
Seal	Chloroprene
Color	RAL ... (.3 = Silver Gray 7001, .1 = Black 9005)
Removal tool color	RAL 7035
Temperature range	-20 – +100 °C
Degree of protection	IP 66 / IP 68 (5 bar, 30 min.)
Flammability	UL 94 V-2
for wall thickness	0.5 – 4.0 mm

**Removal tool**

Dimensions	H mm	D mm	Part No.	P.U.
16	13	16	05.504.5053.0	1
20	13	20	05.504.5153.0	1

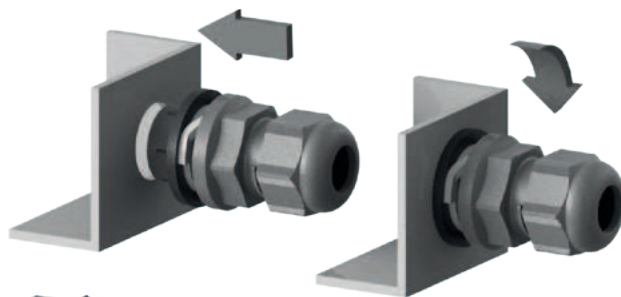
## Dimensions

### Cable gland

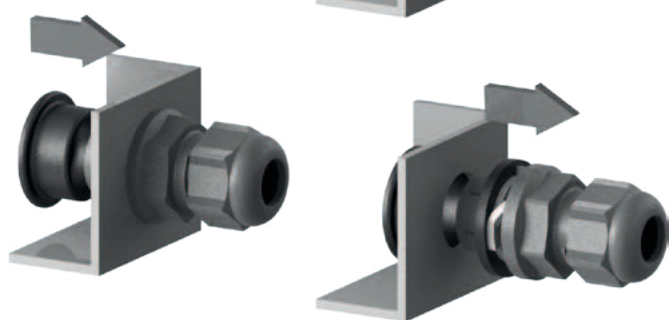


Key	
HD	Bore
SD	Snap diameter
SL	Snap length
D	Outer diameter
d	Cable diameter
H	Height
SW1	SW Body
SW2	SW Cap

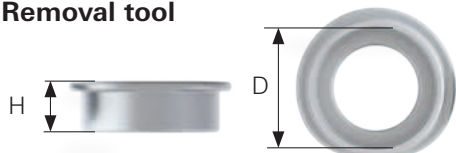
### Installation



### Removal



### Removal tool



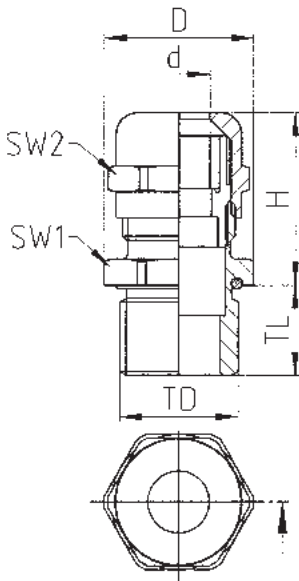
# Brass cable gland, nickel-plated, metric

## Cable gland



TD Thread	D mm	d mm	H mm	TL mm	SW1 mm	SW2 mm	Part No.	P.U.	VDE	UL/UR	cUL/cUR
M16x1.5	20	4-8	23	7	18	17	Z5.503.2121.0	50	✓	UR	cUR
M25x1.5	29.8	10-14	28	8	27	24	Z5.503.2721.0	25	✓	UL	cUL
M25x1.5	33	13-18	32.5	8	30	30	Z5.503.2921.0	25	✓	UL	cUL
M32x1.5	37.5	13-18	33	9	34	30	Z5.503.3121.0	20	✓	UL	cUL
M63x1.5	83	37-53	51	10	75	75	Z5.503.3921.0	5	✓	UL	cUL
M16x1.5	20	4-8	23	12	18	17	Z5.503.2221.0	50		UR	cUR
M20x1.5	24.5	6-12	24.5	12	22	22	Z5.503.2421.0	50	✓	UL	cUL
M25x1.5	29.8	10-14	28	12	27	24	Z5.503.2821.0	25	✓	UL	cUL
M32x1.5	37.5	13-18	33	15	34	30	Z5.503.3221.0	20	✓	UL	cUL
M40x1.5	48.5	18-25	38.5	15	43	40	Z5.503.3521.0	10	✓	UL	cUL
M12x1.5	15.5	3-6,5	22	12	14	14	Z5.503.4221.0	50	✓	UR	cUR
M16x1.5	22	5-10	28.5	12	20	20	Z5.503.4421.0	50	✓	UR	cUR
M20x1.5	24.5	6-12	26	12	22	22	Z5.503.4621.0	50	✓	UL	cUL
M25x1.5	30	11-17	30.5	12	27	27	Z5.503.4821.0	25	✓	UL	cUL
M32x1.5	37	15-21	36.2	15	34	34	Z5.503.5021.0	20	✓	UL	cUL
M40x1.5	48.4	19-28	43.5	15	43	43	Z5.503.5221.0	10	✓	UL	cUL
M50x1.5	64	27-38	52	15	58	58	Z5.503.5421.0	5	✓	UL	cUL
<b>Technical data</b>											
Material	Brass, nickel-plated										
Clamping insert	Polyamide										
Seal	Chloroprene										
O-ring	NBR										
Temperature range	-20 – +100 °C										
Degree of protection	IP 66 / IP 68 (5 bar, 30 min.)										
Flammability	UL 94 V-2										

## Dimensions



Key	
D	Outer diameter
d	Cable diameter
H	Height
TL	Thread length
SW1	SW Body
SW2	SW Cap

# Brass cable gland, nickel-plated, PG

## Cable gland

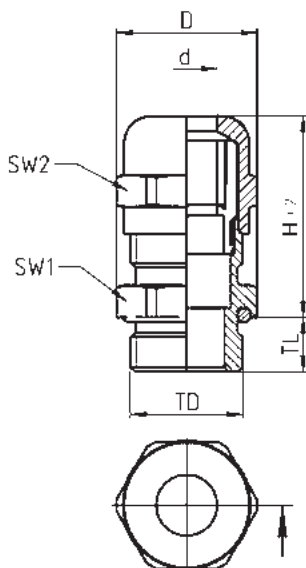


TD Thread	D mm	d mm	H mm	TL mm	SW1 mm	SW2 mm	Part No.	P.U.	UL	UR	cUL/cUR
PG7	15.5	3-6.5	22	6	14	14	Z5.504.2021.0	50		✓	cUR
PG9	18.9	4-8	23.5	6	17	17	Z5.504.2221.0	50		✓	cUR
PG11	22	5-10	26	6	20	20	Z5.504.2421.0	50		✓	cUR
PG13.5	24.5	6-12	24.5	6.5	22	22	Z5.504.2621.0	50	✓		cUL
PG16	26.5	10-14	28	6.5	24	24	Z5.504.2821.0	25	✓		cUL
PG21	33	13-18	32.5	7.2	30	30	Z5.504.3021.0	25	✓		cUL
PG29	44.5	18-25	38.5	8	40	40	Z5.504.3221.0	10	✓		cUL
PG36	55.5	22-32	48	9	50	50	Z5.504.3421.0	5	✓		cUL
PG7	15.5	3-6.5	22	10	14	14	Z5.504.2121.0	50		✓	cUR
PG9	18.9	4-8	23.5	10	17	17	Z5.504.2321.0	50		✓	cUR
PG11	22	5-10	26	10	20	20	Z5.504.2521.0	50		✓	cUR
PG13.5	24.5	6-12	24.5	10	22	22	Z5.504.2721.0	50	✓		cUL
PG16	26.5	10-14	28	10	24	24	Z5.504.2921.0	25	✓		cUL
PG21	33	13-18	32.5	12	30	30	Z5.504.3121.0	25	✓		cUL
PG29	44.5	18-25	38.5	12	40	40	Z5.504.3321.0	10	✓		cUL
PG36	55.5	22-32	48	14	50	50	Z5.504.3521.0	5	✓		cUL

### Technical data

Material	Brass, nickel-plated
Clamping insert	Polyamide
Seal	Chloroprene
O-ring	NBR
Temperature range	-20 – +100 °C
Degree of protection	IP 66 / IP 68 (5 bar, 30 min.)
Flammability	UL 94 V-2

## Dimensions



Key	
D	Outer diameter
d	Cable diameter
H	Height
TL	Thread length
SW1	SW Body
SW2	SW Cap

# Stainless steel cable gland, metric

## Cable gland

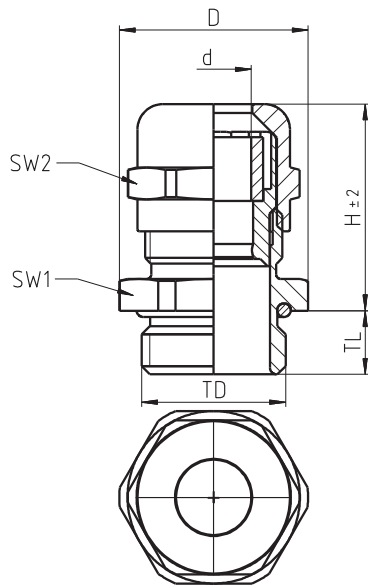


TD Thread	D mm	d mm	H mm	TL mm	SW1 mm	SW2 mm	Part No.	P.U.	VDE	UL/UR	cUL/cUR
M16x1.5	20.8	4-8	23	7	19	17	Z5.503.6119.0	10	✓	UR	cUR
M20x1.5	24.5	6-12	26	8	22	22	Z5.503.6219.0	10			
M25x1.5	29.6	10-14	27.5	8	27	24	Z5.503.6319.0	10	✓	UL	cUL
M32x1.5	39	13-18	32.5	9	36	30	Z5.503.6419.0	10	✓	UL	cUL
M40x1.5	51.4	18-25	40.6	9	46	41	Z5.503.6519.0	10	✓	UL	cUL

### Technical data

Material	Stainless steel 1.4305 (AISI 303)
Clamping insert	Polyamide
Seal	Chloroprene
O-ring	NBR
Temperature range	-20 – +100 °C
Degree of protection	IP 66 / IP 68 (5 bar, 30 min.)
Flammability	UL 94 V-2

## Dimensions



Key	
D	Outer diameter
d	Cable diameter
H	Height
TL	Thread length
SW1	SW Body
SW2	SW Cap



# Stainless steel cable gland, PG

## Cable gland

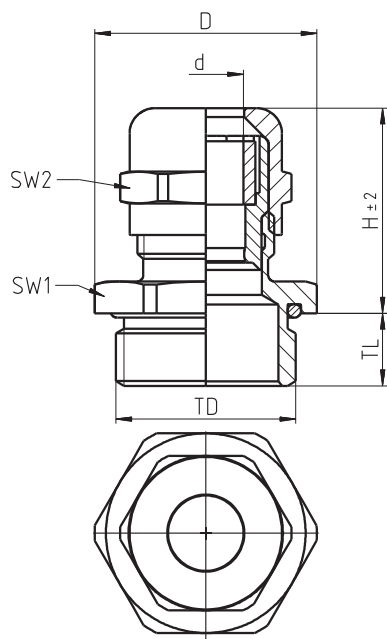


TD Thread	D mm	d mm	H mm	TL mm	SW1 mm	SW2 mm	Part No.	P.U.	UL	UR	cUR
PG7	15.5	3-6.5	22	6	14	14	Z5.504.6019.0	10		✓	✓
PG9	21	4-8	22.7	6	19	17	Z5.504.6119.0	10		✓	✓
PG11	24	5-10	25.5	6	22	22	Z5.504.6219.0	10		✓	✓
PG13.5	24.5	6-12	24	6.5	22	22	Z5.504.6319.0	10	✓		✓
PG16	26.5	10-14	28	6.5	24	24	Z5.504.6419.0	10	✓		✓
PG21	33	13-18	32	7.2	30	30	Z5.504.6519.0	10	✓		✓
PG29	45.5	18-25	37	8	41	41	Z5.504.6619.0	10	✓		✓
PG36	55.5	22-32	47.5	9	50	50	Z5.504.6719.0	10	✓		✓

### Technical data

Material	Stainless steel 1.4305 (AISI 303)
Clamping insert	Polyamide
Seal	Chloroprene
O-ring	NBR
Temperature range	-20 – +100 °C
Degree of protection	IP 66 / IP 68 (5 bar, 30 min.)
Flammability	UL 94 V-2


## Dimensions




Key	
D	Outer diameter
d	Cable diameter
H	Height
TL	Thread length
SW1	SW Body
SW2	SW Cap

# Brass cable gland, nickel-plated, snap-In

**Cable gland**



**Removal tool**



HD mm	SD mm	SL mm	D mm	d mm	H mm	SW1 mm	SW2 mm	Part No.	P.U.
16.2-16.4	16	9	28.3	5-10	45	20	20	Z5.504.5021.0	20
20.2-20.4	20	9	32.3	6-12	44	22	22	Z5.504.5121.0	20

**Technical data**

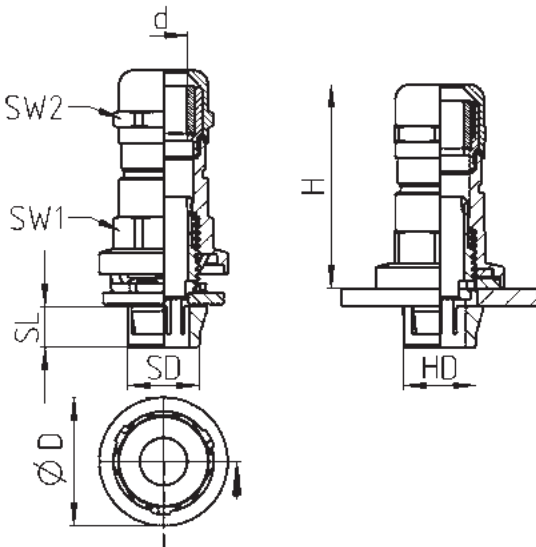
Material	Brass, nickel-plated
Removal tool material	Plastic
Seal	Chloroprene
Removal tool color	RAL 7035
Temperature range	-20 – +100 °C
Degree of protection	IP 66 / IP 68 (5 bar, 30 min.)
Flammability	UL 94 V-2
for wall thickness	0.5 – 4.0 mm

**Removal tool**

Dimensions	H mm	D mm	Part No.	P.U.
16	13	16	05.504.5053.0	1
20	13	20	05.504.5153.0	1

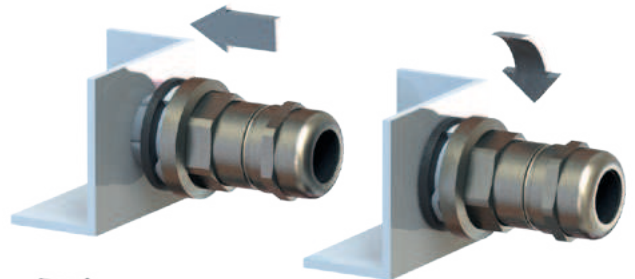
## Dimensions

### Cable gland

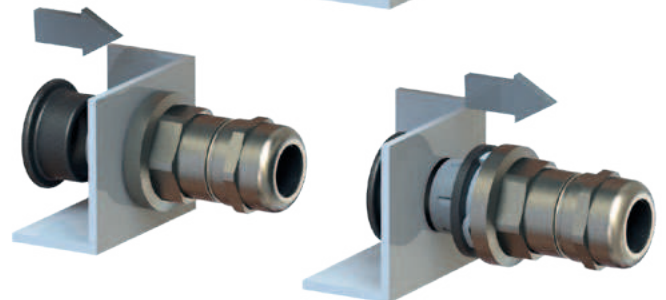


Key	
HD	Bore
SD	Snap diameter
SL	Snap length
D	Outer diameter
d	Cable diameter
H	Height
SW1	SW Body
SW2	SW Cap

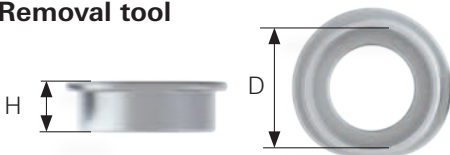
### Installation



### Removal



### Removal tool



# Brass cable glands, nickel-plated, metric

## Cable gland, IP54, with strain relief



Name	Type				Part No.	P.U.
<b>Cable gland metal</b>						
	Cable Ø [mm]	L [mm]	l [mm]	SW [mm]		
M20x1.5	6.5 – 11.5	25	6	24	Z5.507.5821.0	1
M25x1.5	9 – 20	29	7	34	Z5.507.6021.0	1
M32x1.5	17 – 28	32	8	42	Z5.507.6221.0	1
M40x1.5	23 – 35	40	8	52	Z5.507.6421.0	1
<b>Technical data</b>						
Material	Brass, nickel-plated					
Color	-					
Degree of protection	IP54					
Flammability	-					

## Bushing, IP54



Name	Type				Part No.	P.U.
<b>Bushing metal</b>						
	Cable Ø [mm]	L [mm]	l [mm]	SW [mm]		
M16x1.5	3 – 9	15	5	16	Z5.507.2121.0	1
M20x1.5	4 – 13	17.5	6	20	Z5.507.2221.0	1
M25x1.5	8.5 – 17.5	20	7	25	Z5.507.2321.0	1
M32x1.5	16 – 25	23	8	32	Z5.507.2421.0	1
<b>Technical data</b>						
Material	Brass, nickel-plated					
Color	-					
Degree of protection	IP54					
Flammability	-					

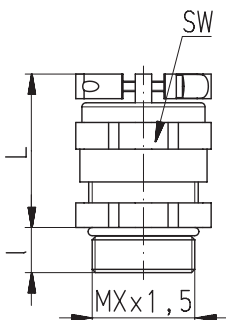
## Strain relief, IP54



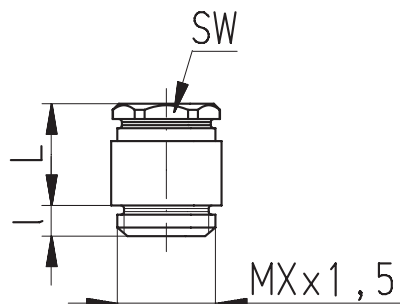
Name	Type				Part No.	P.U.
<b>Cable gland metal</b>						
	Cable Ø [mm]	L [mm]	l [mm]	SW [mm]		
M16x1.5	4 – 9	29	5	18	Z5.507.9521.0	10
M20x1.5	6.5 – 13.5	33	6	22	Z5.507.9621.0	10
M25x1.5	9 – 20	38	7	30	Z5.507.9721.0	10
M32x1.5	17 – 26	43	8	36	Z5.507.9821.0	10
<b>Technical data</b>						
Material	Brass, nickel-plated					
Color	-					
Degree of protection	IP54					
Flammability	-					

## Dimensions

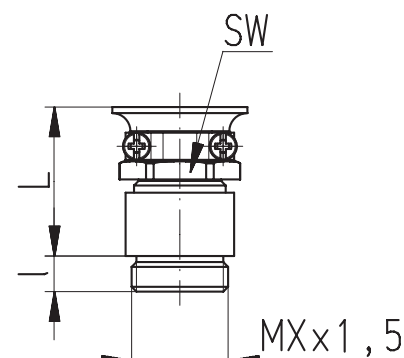
### Cable gland, IP54, with strain relief, metal



### Cable gland, IP54, metal



### Strain relief, IP54, metal



# EMC brass cable gland, nickel-plated, metric

## Cable gland

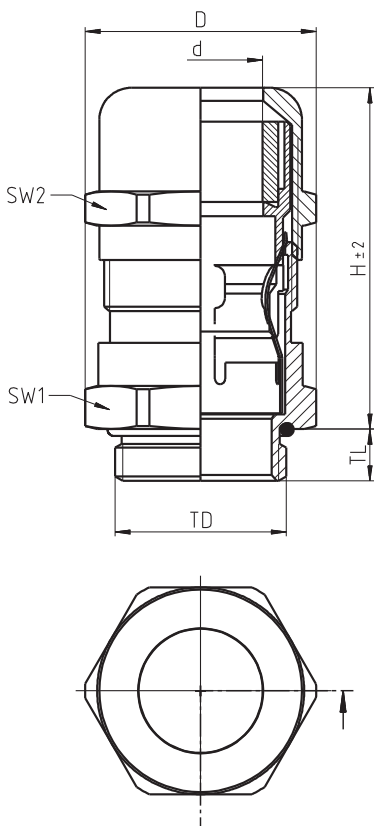


TD Thread	D mm	d mm	ShieldØ mm	H mm	TL mm	SW1 mm	SW2 mm	Part No.	P.U.	VDE	UL	cUL
M20x1.5	26.8	7.5-14	5.5-11.5	39.6	8	24	24	Z5.503.7221.0	10	✓	✓	✓
M25x1.5	33	10-18	7-14	43	8	30	30	Z5.503.7321.0	10	✓	✓	✓
M32x1.5	43.5	16-25	12-20	53	9	40	40	Z5.503.7421.0	10	✓	✓	✓
M40x1.5	55.5	22-32	18-27	60.5	9	50	50	Z5.503.7521.0	10	✓	✓	✓

### Technical data

Material	Brass, nickel-plated
Clamping insert	Polyamide
Seal	Chloroprene
O-ring	NBR
Temperature range	-20 – +100 °C
Degree of protection	IP 66 / IP 68 (5 bar, 30 min.)
Flammability	UL 94 V-2

## Dimensions



Key	
D	Outer diameter
d	Cable diameter
TD	Thread diameter
H	Height max.
TL	Thread length
SW1	SW Body
SW2	SW Cap

# EMC brass cable gland, nickel-plated, PG

## Cable gland

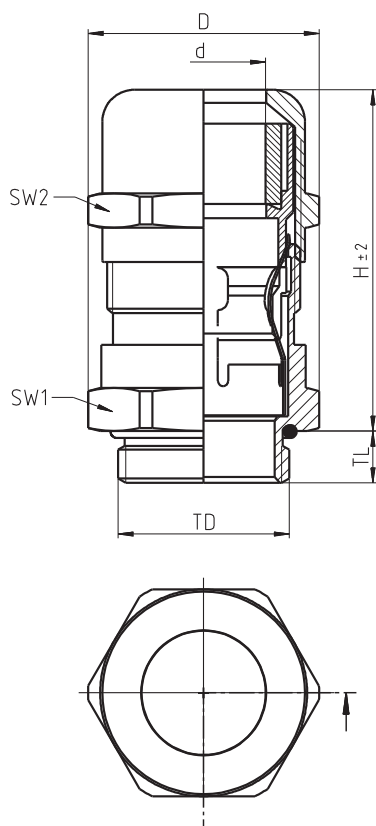


TD Thread	D mm	d mm	ShieldØ mm	H mm	TL mm	SW1 mm	SW2 mm	Part No.	P.U.
PG16	27.5	7.5-14	5.5-11.5	39.5	6.5	24	25	Z5.504.7421.0	10
PG21	35.5	10-18	7-14	42.5	7	32	30	Z5.504.7521.0	10
PG29	43.5	16-25	12-20	52.5	9	40	40	Z5.504.7621.0	10

### Technical data

Material	Brass, nickel-plated
Clamping insert	Polyamide
Seal	Chloroprene
O-ring	NBR
Temperature range	-20 – +100 °C
Degree of protection	IP 66 / IP 68 (5 bar, 30 min.)
Flammability	UL 94 V-2

## Dimensions

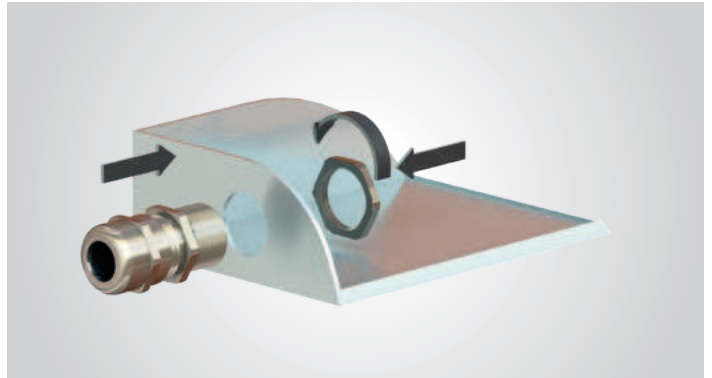


### Key

D	Outer diameter
d	Cable diameter
TD	Thread diameter
H	Height max.
TL	Thread length
SW1	SW Body
SW2	SW Cap

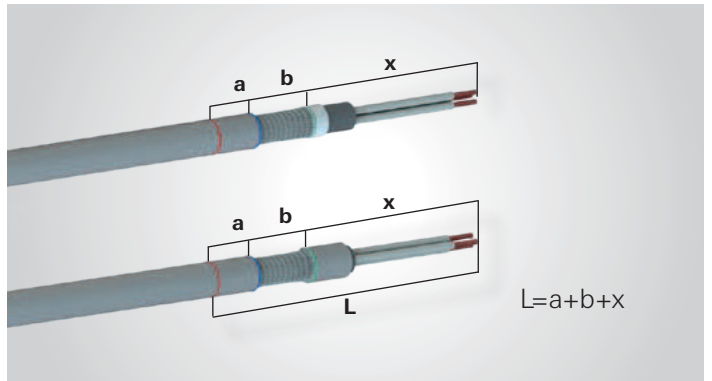
# Assembly instructions for EMC cable gland

- ① Fasten EMC cable gland on the housing to the specified torque.



- ② Cable preparation

- a) Mark dimension "L" on the cable sheath.
- b) Carefully remove outer cable sheath "b+x" using a suitable cable stripper. Do not damage braid.
- c) Protect braid with insulating tape or a piece of cable sheath at the end.



For dimension a and b see table below.

**Key:**

- a = outer screen length (for dimension a see table)
- b = stripped shield length (for dimension b see table)
- x = Length in the housing (dimension x is dependent on the housing used)

**Metric cable glands**

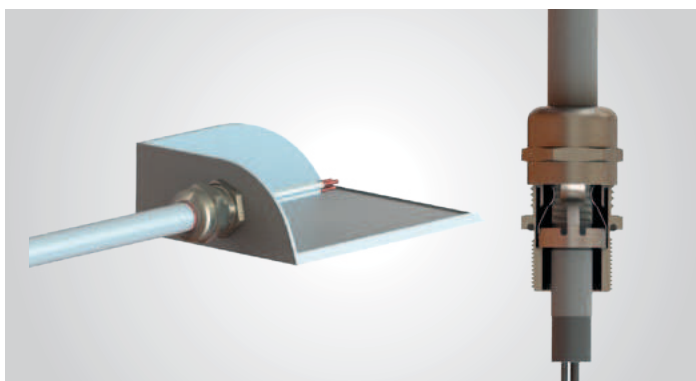
Item number	Thread size	Outer sheath length marking a (mm)	Stripped shield length b (mm)	Tightening torque cable screw gland thread (Nm)	Tightening torque cable screw cap thread (Nm)
Z5.503.7221.0	M20x1.5	15	19	10 ±1	10 ±1
Z5.503.7321.0	M25x1.5	19	20	15 ±1	15 ±1
Z5.503.7421.0	M32x1.5	21	26	22 ±1	22 ±1
Z5.503.7521.0	M40x1.5	26	28	42 ±1	42 ±1

**PG cable glands**

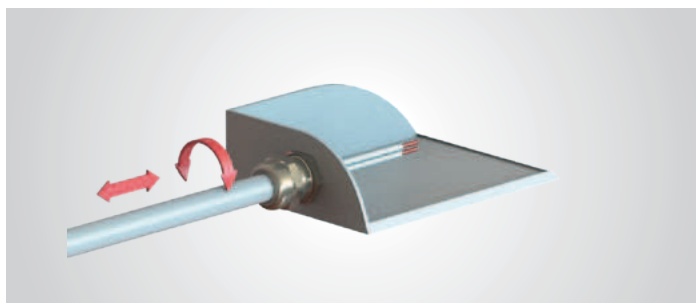
Item number	Thread size	Outer sheath length marking a (mm)	Stripped shield length b (mm)	Tightening torque cable screw gland thread (Nm)	Tightening torque cable screw cap thread (Nm)
Z5.504.7421.0	PG 16	15	19	10 ±1	10 ±1
Z5.504.7521.0	PG 21	19	20	15 ±1	15 ±1
Z5.504.7621.0	PG 29	21	26	22 ±1	22 ±1

# Assembly instructions for EMC cable gland

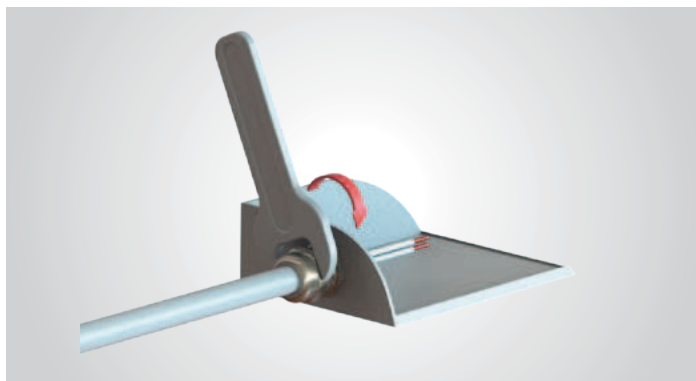
- ③ Insert cable into the gland until the "L" mark is at the height of the cap nut. The cable shield must now be connected to the EMC spring of the screw gland.



- ④ The cable can still be positioned as long as the cap nut is not tightened to the specified torque.

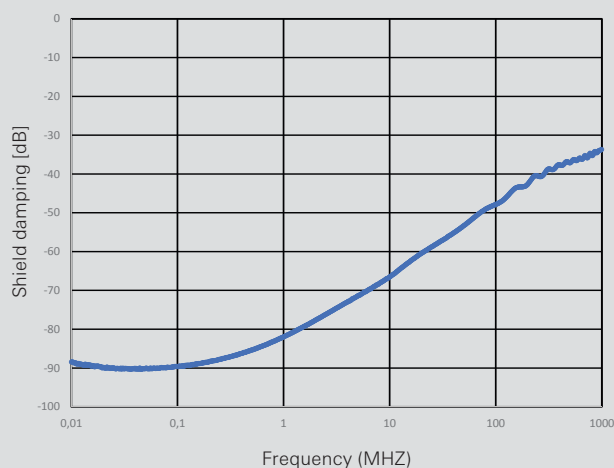


- ⑤ Tighten the cap nut to the specified torque (see table).



- ⑥ EMC test results:  
Shield damping

Reference:  
75.503.7221.0 / M20x1.5



1) The measurements have been taken by the VDE Test and Certification Institute according to the triaxial method.

## Accessories Flange nut, plastic in metric

### Flange nut

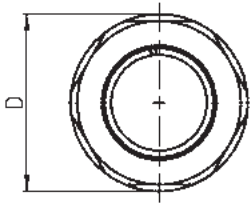


Thread	D mm	H mm	SW1 mm	Part No.	P.U.
M12x1.5	19.5	5	18	05.506.5053.0	100
M16x1.5	24.2	5	22	05.506.5153.0	50
M20x1.5	28.6	6	26	05.506.5253.0	50
M25x1.5	35	6	32	05.506.5353.0	50
M32x1.5	46.1	7	41	05.506.5453.0	25
M40x1.5	55.3	7	50	05.506.5553.0	10
M50x1.5	66.1	8	60	05.506.5653.0	10
M63x1.5	82.5	8	75	05.506.5753.0	10

#### Technical data

Material	Polyamide
Color	RAL 7035
Temperature range	-20 – +100 °C
Flammability	UL 94 HB


### Dimensions





Key	
D	Outer diameter
H	Height
SW1	Wrench size



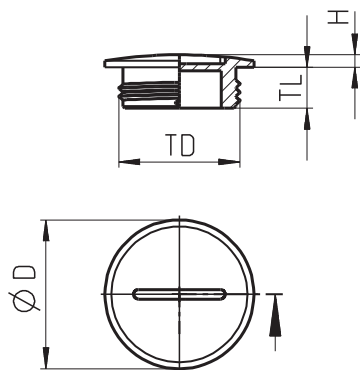
## Accessories Screw plug

Screw plug, metric, plastic		Thread	TD mm	TL mm	H mm	D mm	Part No.	P.U.			
		M16x1.5	16	7	4,5	20	05.506.7153.0	100			
		M20x1.5	20	7	5,5	24	05.506.7253.0	50			
		M25x1.5	25	10	5	30	05.506.7353.0	25			
		<b>Technical data</b>									
		Material					Polyamide				
		Color					RAL 7035				
		Temperature range					-20 – +100 °C				
		Flammability					UL 94 V-2				

Screw plug, PG, plastic		Thread	TD mm	TL mm	H mm	D mm	Part No.	P.U.			
		PG7	12.5	6	2	15	05.506.6053.0	100			
		PG9	15.2	6	2.5	19	05.506.6153.0	100			
		PG11	18.6	6	2.5	22	05.506.6253.0	50			
		PG13.5	20.4	6	2.5	25	05.506.6353.0	50			
		PG16	22.5	6	2.5	27	05.506.6453.0	50			
		PG21	28.3	8	4	33	05.506.6553.0	25			
		<b>Technical data</b>									
		Material					Polyamide				
		Color					RAL 7035				
		Temperature range					-20 – +100 °C				
		Flammability					UL 94 V-2				

Screw plug with O-ring, metric, brass		Thread	TD mm	TL mm	H mm	D mm	Part No.	P.U.			
		M20x1.5	16	6-6.5	3.5-4	22-24	05.507.4021.0	10			
		M25x1.5	20	7	4-6	28-30	05.507.4121.0	1			
		M32x1.5	25	8	4-5.5	35-39	05.507.4221.0	1			
		<b>Technical data</b>									
		Material					Brass, nickel-plated				
		Color					Metallic				
		Temperature range					IP68				
		Flammability					-				

### Dimensions



Key	
TD	Thread diameter
TL	Thread length
H	Height
D	Outer diameter

# Accessories Reducer, expander, adapter

Reducer	Name	Type				Part No.	P.U.
	<b>Reducer</b>						
	Outer thread [AG]	Inner thread [IT]	D [mm]	H [mm]	GL [mm]		
	M20x1.5	M16x1.5	22	9	6	05.507.9021.0	1
	M25x1.5	M20x1.5	27	10	7	05.507.9121.0	1
	M32x1.5	M25x1.5	34	11	8	05.507.9221.0	1
	M40x1.5	M32x1.5	43	11.6	8	05.507.9321.0	1
<b>Technical data</b>							
	Material	Brass, nickel-plated					
	Color	-					
	Degree of protection	-					
	Flammability	-					



Expander	Name	Type				Part No.	P.U.
	<b>Expander</b>						
	Outer thread [AG]	Inner thread [IT]	D [mm]	H [mm]	GL [mm]		
	M16x1.5	M20x1.5	22	17.5	5	05.507.8621.0	1
	M20x1.5	M25x1.5	27	20	6	05.507.8721.0	1
	M25x1.5	M32x1.5	34	22.5	7	05.507.8821.0	1
	M32x1.5	M40x1.5	42	24.5	8	05.507.8921.0	1
<b>Technical data</b>							
	Material	Brass, nickel-plated					
	Color	-					
	Degree of protection	-					
	Flammability	-					



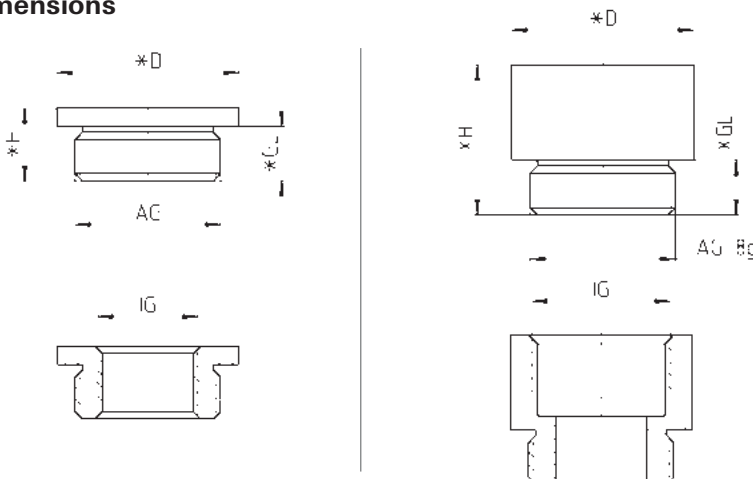
PG to metric adapter	Name	Type				Part No.	P.U.
	<b>PG adapter</b>						
	Outer thread [AG]	Inner thread [IT]	D [mm]	H [mm]	GL [mm]		
	PG 13.5	M20x1.5	22	19	6.5	05.507.7621.0	1
	PG 16	M20x1.5	24	9.5	6.5	05.507.7721.0	1
	PG 21	M25x1.5	30	10	7	05.507.7821.0	1
<b>Technical data</b>							
	Material	Brass, nickel-plated					
	Color	-					
	Degree of protection	-					
	Flammability	-					



Metric to PG adapter	Name	Type				Part No.	P.U.
	<b>Metric adapter</b>						
	Outer thread [AG]	Inner thread [IT]	D [mm]	H [mm]	GL [mm]		
	M20x1.5	PG 13.5	22	19	6.5	05.507.8121.0	1
	M20x1.5	PG 16	24	19	6.5	05.507.8221.0	1
	M25x1.5	PG 21	30	21	6.5	05.507.8321.0	1
	M32x1.5	PG 29	39	23	7	05.507.8421.0	1
<b>Technical data</b>							
	Material	Brass, nickel-plated					
	Color	-					
	Degree of protection	-					
	Flammability	-					



## Dimensions



Key	
AG	Outer thread
IG	Inner thread
D	Outside diameter
H	Height
GL	Thread length

# Accessories Multi-hole seal

## Multi-hole seal replaces standard seal



Replaces clamping range mm	Number of hole per sealing x diameter in mm	H mm	D mm	Part No.	P.U.
6-12	2x5	8.4	16	05.512.4083.0	50
6-12	2x6	8.4	16	05.512.4183.0	50
6-12	3x5	8.4	16	05.512.4583.0	50
10-14	3x6	9.3	18	05.512.4683.0	50
13-18	3x8	12.2	22.9	05.512.4883.0	50
13-18	4x7	12.2	22.9	05.512.5083.0 *	50
11-17	6x4	10.7	20.4	05.512.5583.0	50
18-25	2x8	14	30.4	05.512.4383.0	50
15-21	9x4	14.2	25.4	05.512.5883.0	50

### Technical data

Material	Chloroprene
Color	RAL 9005
Temperature range	-20 – +100 °C

\* The multi-hole seal with the part number 05.512.5083.0 is sealed with a membrane and can be used as dust or water protection even without cables.

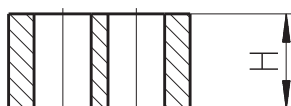
## Assignment of multiple seal to cable screw gland

The multi-hole seal enables the insertion of several conductors into a screw gland and is sold separately.

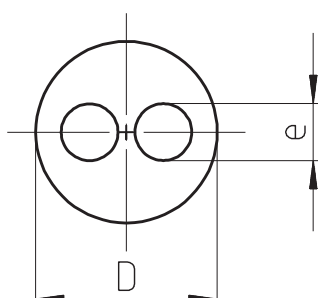
The multi-hole seal can be used in the following screw glands:

Clamping range in mm					
6-12	10-14	11-17	13-18	15-21	18-25
Multiple seal					
05.512.4083.0	05.512.4683.0	05.512.5583.0	05.512.4883.0	05.512.5883.0	05.512.4383.0
05.512.4183.0			05.512.5083.0		
05.512.4583.0					
Cable gland					
Z5.503.0453.0	Z5.503.0553.0	Z5.503.4821.0	Z5.503.0753.0	Z5.503.5021.0	Z5.503.0853.0
Z5.503.2421.0	Z5.503.2721.0		Z5.503.3121.0		Z5.503.3521.0
Z5.503.4621.0	Z5.503.2821.0		Z5.503.2921.0		Z5.503.6519.0
Z5.503.6219.0	Z5.503.6319.0		Z5.503.3221.0		Z5.504.3221.0
Z5.504.0353.0	Z5.504.0453.0		Z5.503.6419.0		Z5.504.3321.0
Z5.504.2621.0	Z5.504.2821.0		Z5.504.0553.0		Z5.504.6619.0
Z5.504.2721.0	Z5.504.2921.0		Z5.504.3021.0		
Z5.504.6319.0	Z5.504.6419.0		Z5.504.3121.0		
Z5.504.4153.1			Z5.504.6519.0		
Z5.504.4153.3					
Z5.504.5121.0					

## Dimensions



Key	
e	Diameter of the bores
H	Height
D	Outer diameter





# wieland

## HEADQUARTERS

Wieland Electric GmbH  
Brennerstraße 10 – 14  
96052 Bamberg · Germany

---

Phone +49 951 9324-0  
Fax +49 951 9324-198  
info@wieland-electric.com

0544.1 MC 11/20

Represented in over 70 countries worldwide:

[www.wieland-electric.com](http://www.wieland-electric.com)